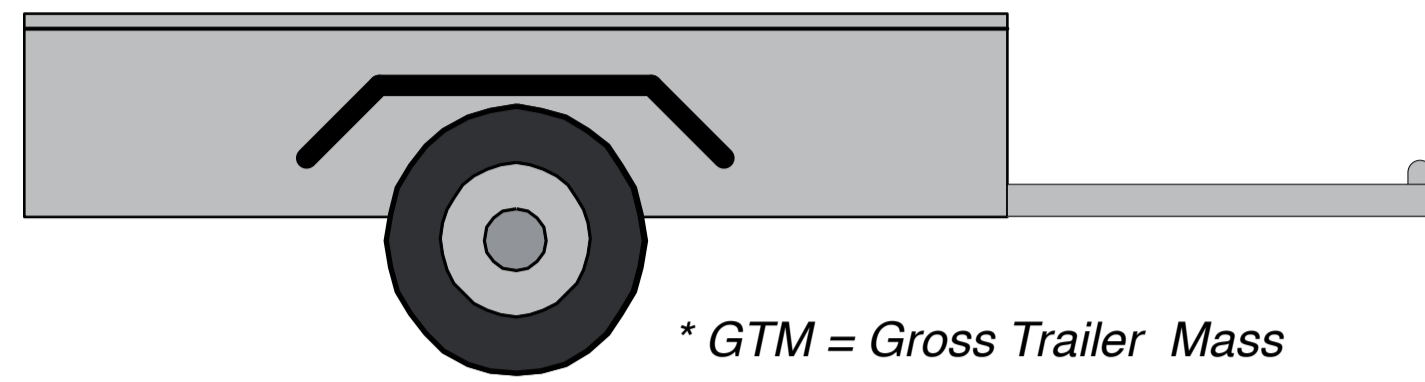


Small Trailers

Mass Limits

Very Light Box Trailer

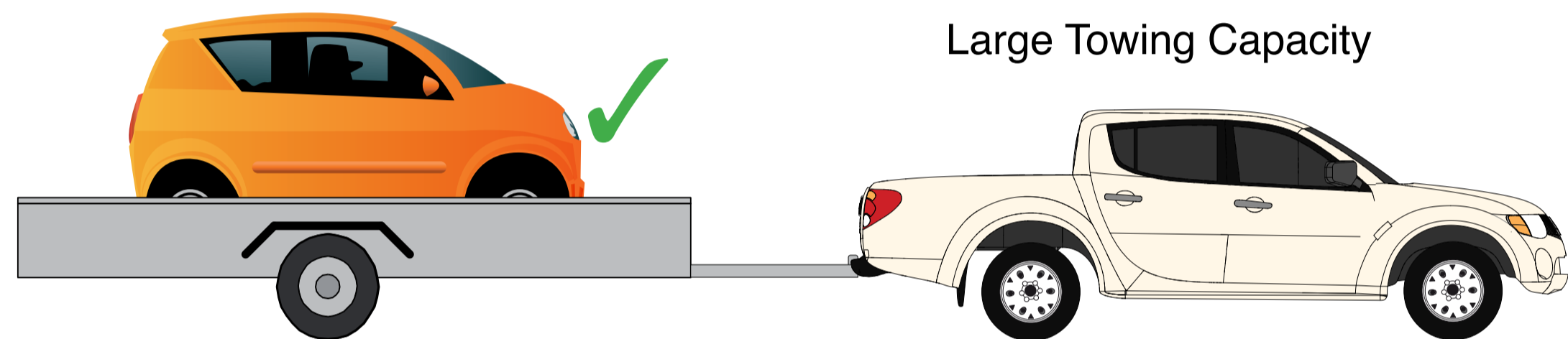
GTM* = 0.75t



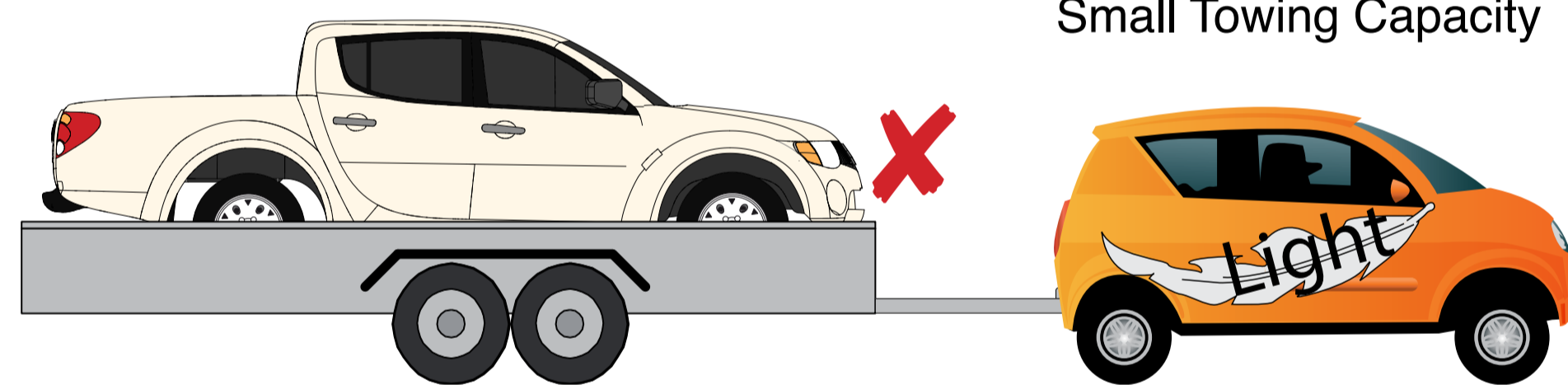
*GTM = Gross Trailer Mass

- ✓ Trailer mass must take into consideration the capacity of the towing vehicle
- ✓ Maximum GTM can be less than 0.75t if specified by the manufacturer (eg trailer capacity)
- ✓ Vehicle and Trailer to be in roadworthy and safe condition
- ✓ Light Trailers with GTM over 750kg and up to 3500kg require current safety certificate

Towing Capacity Effects



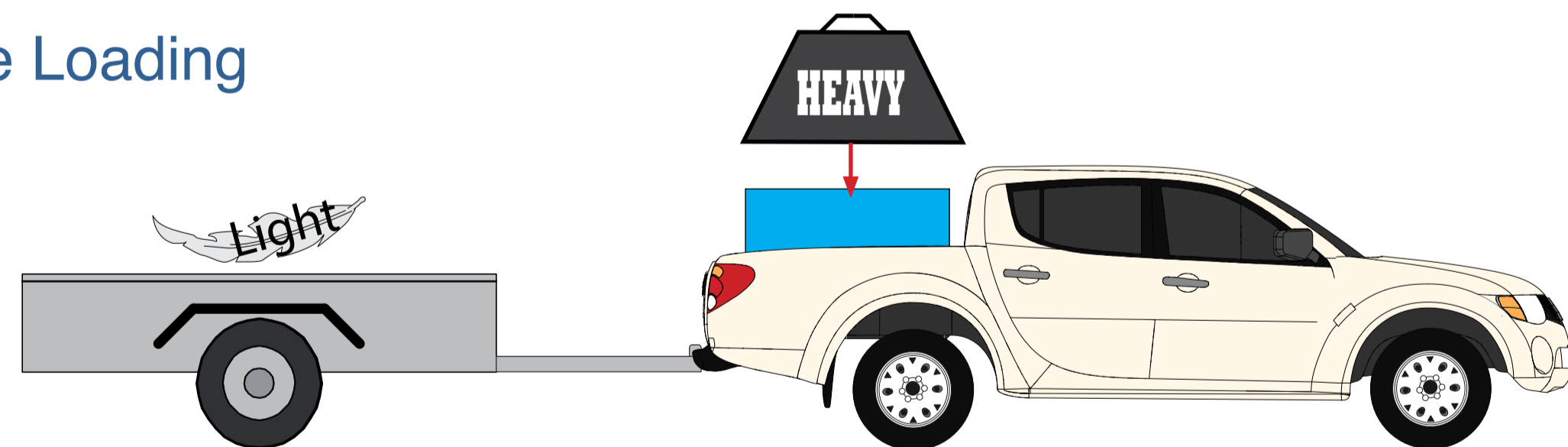
Large Towing Capacity



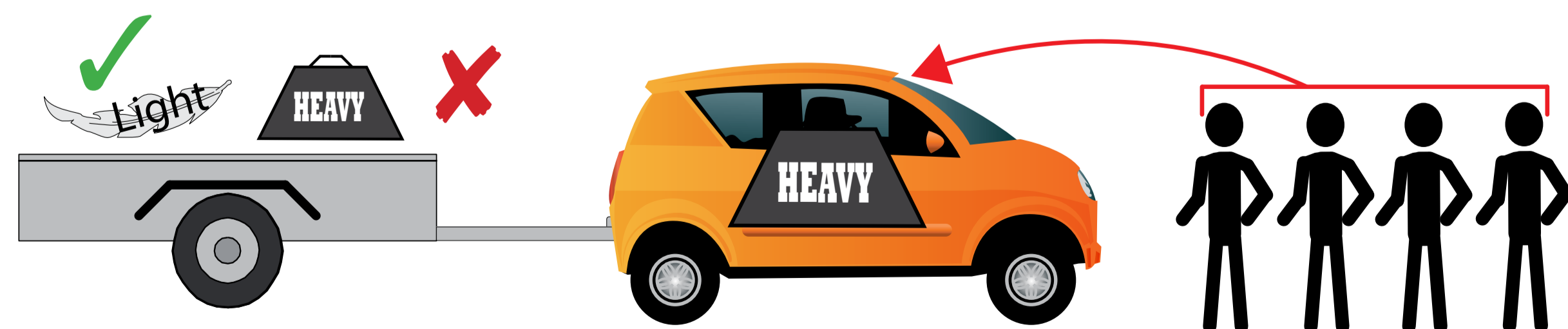
Small Towing Capacity

⚠ Small Cars may not have 0.75t towing capacity. (Check vehicle handbook)

Vehicle Loading



⚠ Large vehicles towing capacity will be reduced if it is fully loaded



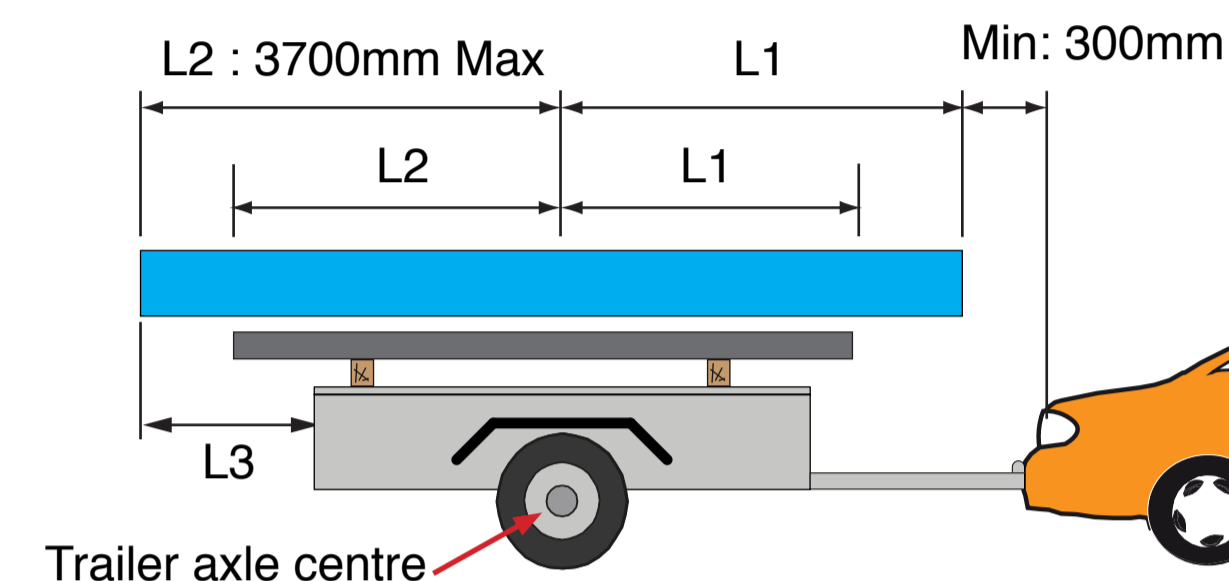
✗ Small vehicles towing capacity is severely affected when loaded

Dimensional Limits

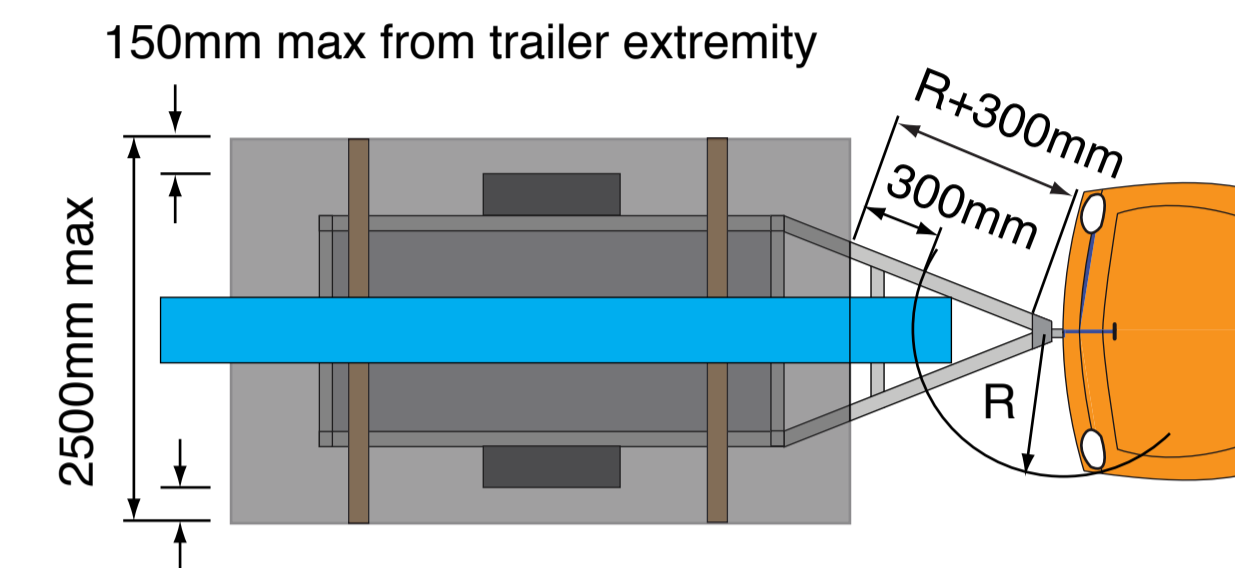
- ✓ Maximum width of load is 2500mm
- ✓ Maximum side overhang is 150mm each side
- ✓ Product to be supported so that flex is no more than 100mm

QLD/NSW

Dimension limits for loads on trailers



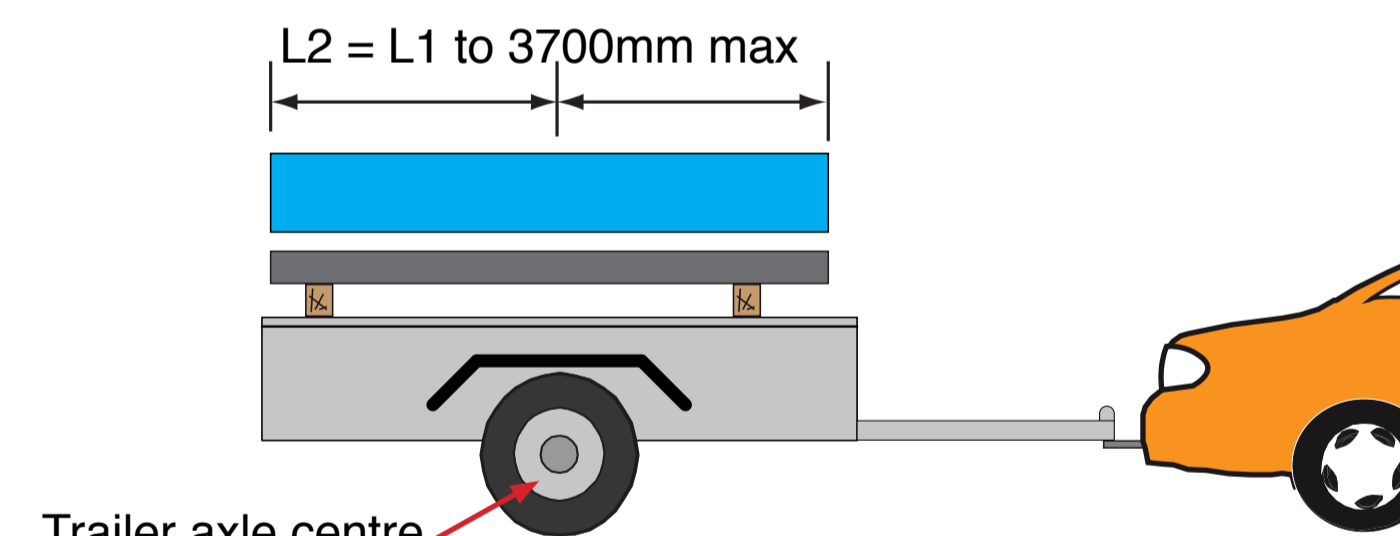
Trailer axle centre



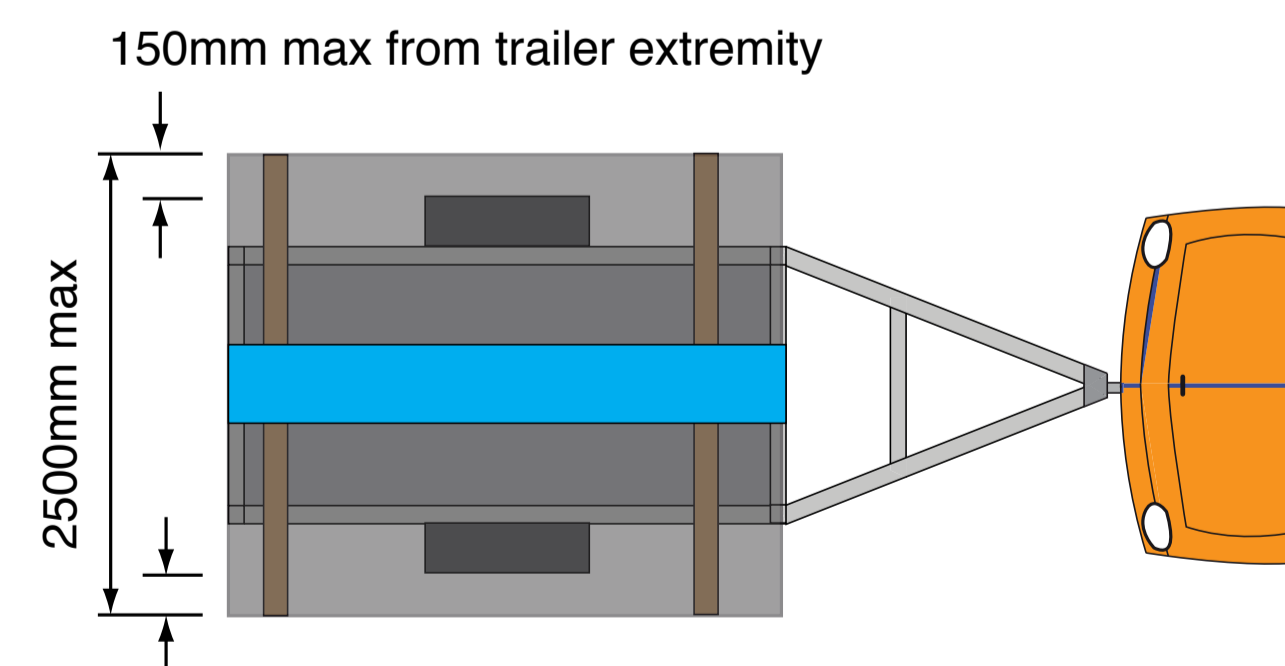
- ✓ L2 must be equal or less than L1
- ✓ Maximum front overhang limited to:
 - Minimum of 300mm from the tow-ball if the product width is within the area of the draw bar structure,
- ✓ Or, if wider than draw-bar structure;
 - a clearance of 300mm to any possible impact point with the turning car (R+300mm, see diagram)
- ✓ Must have appropriate supports and restraint points to allow any overhang of trailer box

VIC / NT / ACT / TAS / WA

Dimension limits for loads on trailers



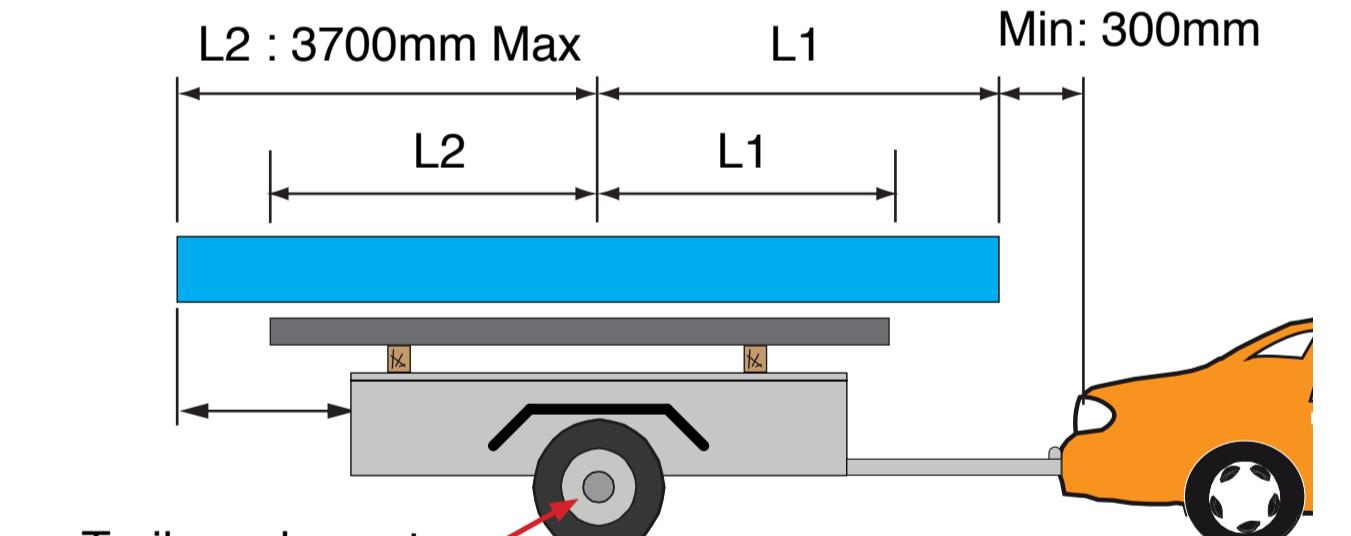
Trailer axle centre



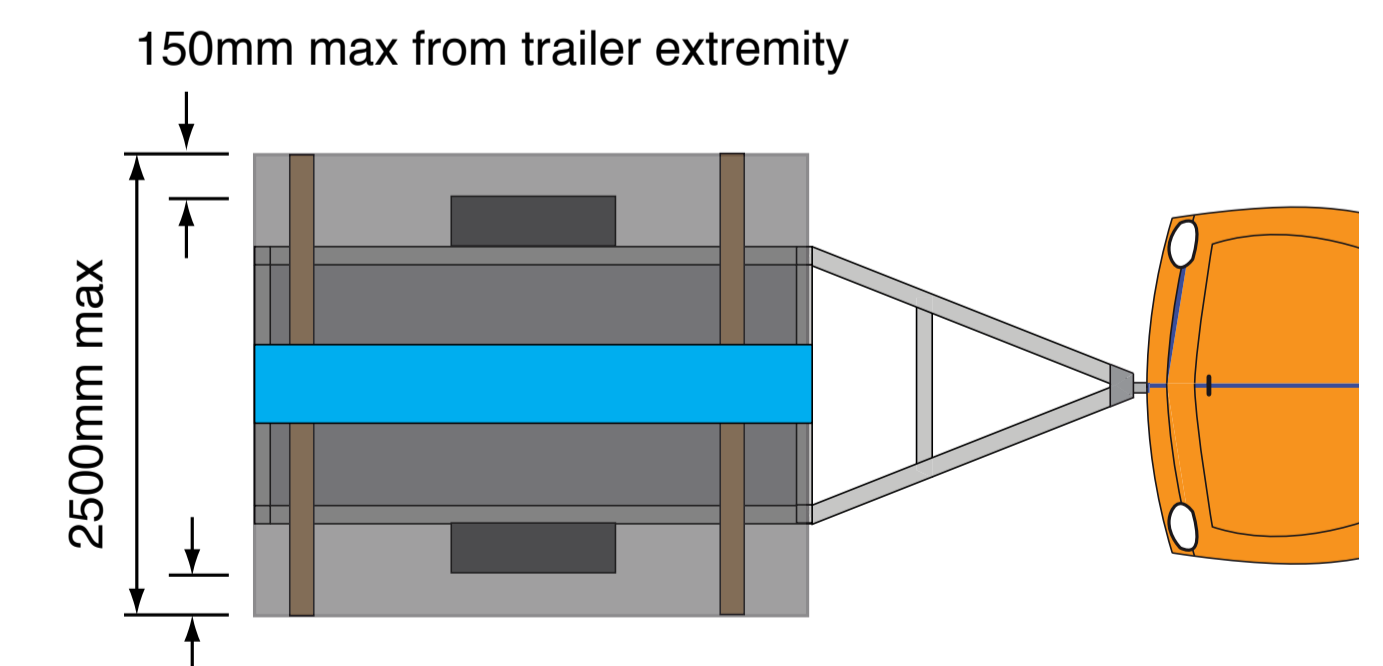
- ✓ L2 must be equal or less than L1
- ✓ L1 is the distance from the centre of the axle to the front of the load carrying area. For box trailers this is to the front of the box

South Australia

Dimension limits for loads on trailers



Trailer axle centre



- ✓ L2 must be equal or less than L1
- ✗ The forward load overhang must not project outside the draw-bar structure